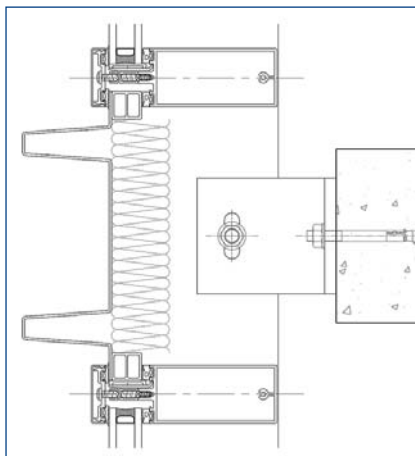
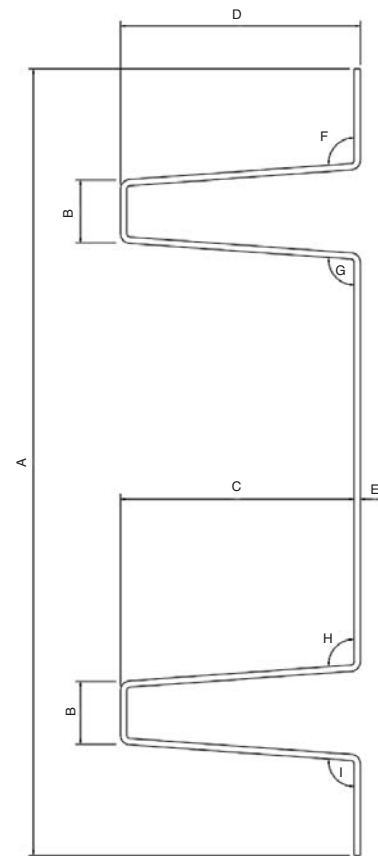
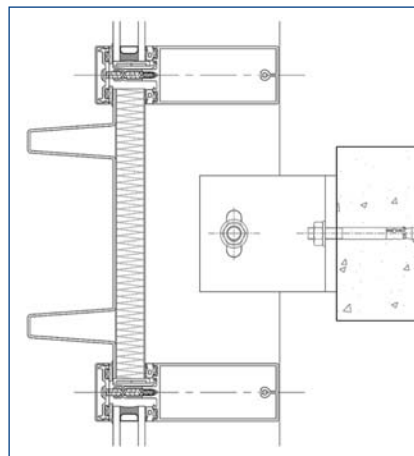


typical fixing details

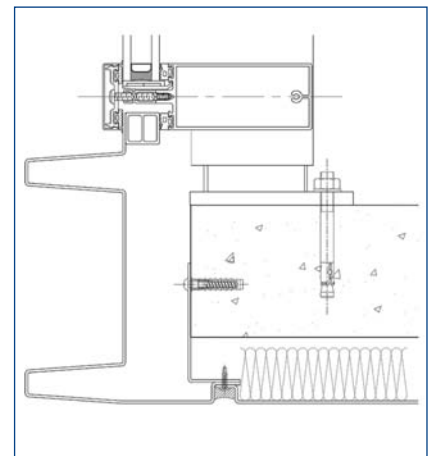
A	Minimum approx 150mm Max approx 1500mm
B	Minimum 17mm providing one of the F/G or H/I is 97°. Increase if all angles are 90°. This is based on 2mm thickness, increases if 3mm.
C	Generally 75mm
D	Minimum 15mm, Maximum approx 2000mm
E	Generally 2mm, Occasionally 3mm
F	Generally 97°, can alter to suit
G	Generally 97°, can alter to suit
H	Generally 97°, can alter to suit
I	Generally 97°, can alter to suit



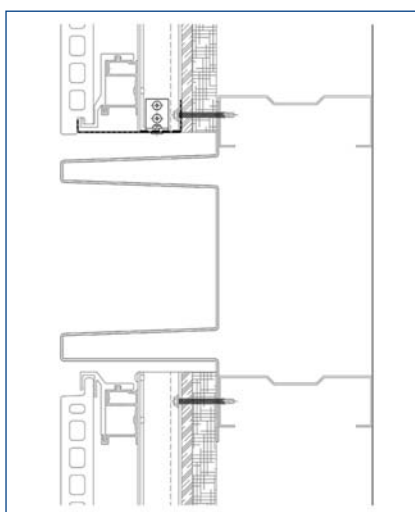
curtain walling



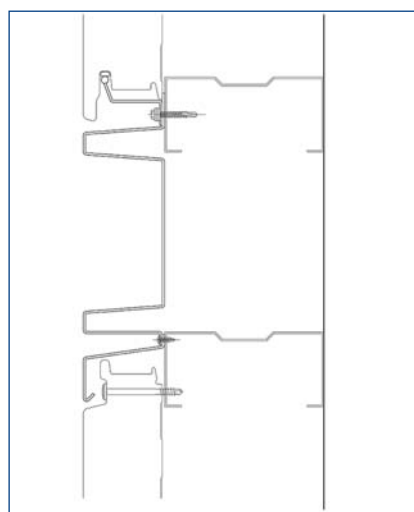
curtain walling



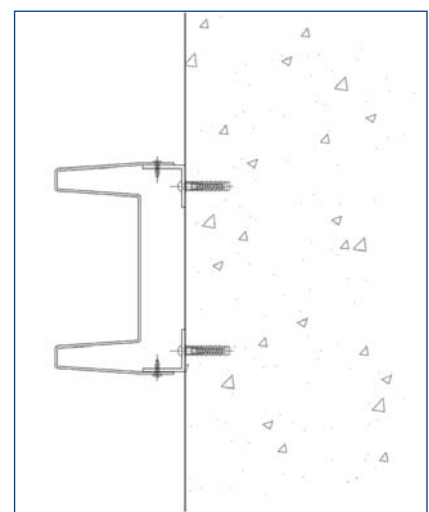
curtain walling/soffit



terracotta rainscreen



wall cladding panels



wall fitting