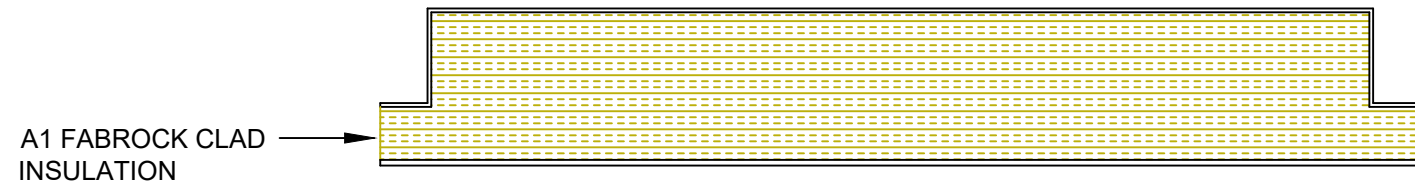
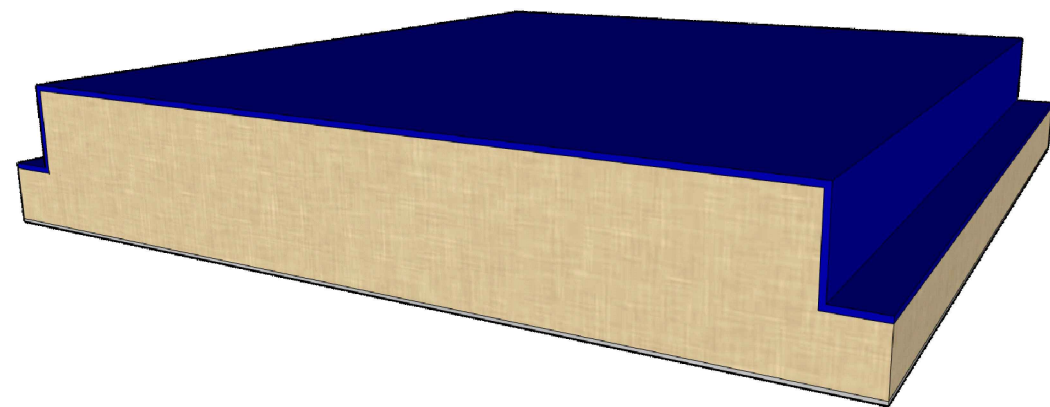


ULT 4



ULTIMA - ULT 4 TYPICAL DETAILS



ULTIMA A1

EXTERNAL: ALUMINIUM TRAY WITH ANODISED FINISH

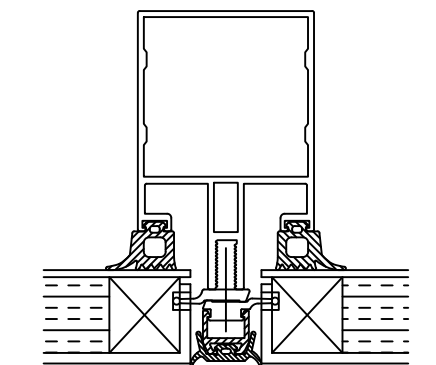
INTERNAL: ALUMINIUM SHEET WITH ANODISED FINISH / MILL FINISH ALUMINIUM / PRE-GALVANISED STEEL

SEE EDGE DESIGN TABLE

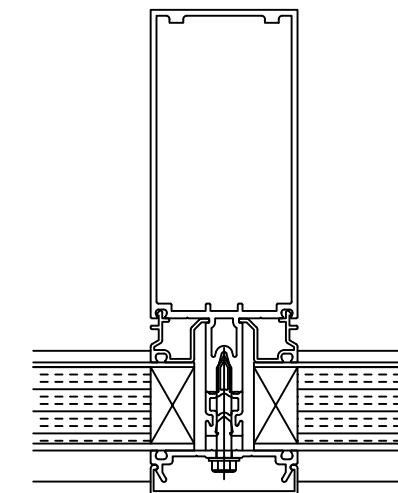
ULTIMA A2 (A2-s1,d0)

EXTERNAL: ALUMINIUM TRAY WITH PPC FINISH

INTERNAL: ALUMINIUM SHEET WITH PPC FINISH / ANODISED FINISH / MILL FINISH ALUMINIUM / PRE-GALVANISED STEEL



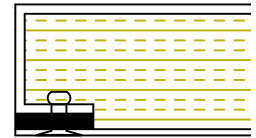
FOR PANELS USED WITH
STRUCTURAL GLAZING SYSTEMS



FOR PANELS USED WITH
CURTAIN WALLING SYSTEMS

EDGE DESIGN TABLE

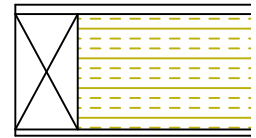
ULTIMA A1 - OUTER TRAY WITH THERMAL BREAK



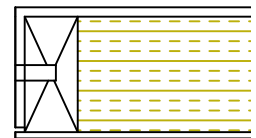
INSULATION CORE



PERIMETER EDGE / THERMAL BREAK



ROUTERED EDGE DETAIL FOR STRUCTURAL GLAZING



PERIMETER EDGE/THERMAL BREAK TO BE IN ACCORDANCE WITH CWCT/SFE FIRE GUIDANCE ISSUE 01 (SEPTEMBER 2020)

Metalline Architectural Fabrications
Hollies Park Road,
Cannock,
Staffordshire,
WS11 1DB
www.metalline.co.uk
Tel: +44 (0) 1543 456930



DO NOT SCALE

1. ANY DOUBT OF THE CONTENTS OF THIS DRAWING PLEASE CONTACT THE DESIGN OFFICE.
2. THIS DRAWING TO BE READ IN CONJUNCTION WITH ALL OTHER CONTRACT DRAWINGS.
3. DO NOT REPRODUCE THIS DRAWING (IN FULL OR PART) WITHOUT THE WRITTEN PERMISSION OF METALLINE (SERVICES) LTD
4. COPYRIGHT METALLINE (SERVICES) LTD 2020



DRAWING TITLE		-	-	-	-	-
ULTIMA ULT 4		-	-	-	-	-
TYPICAL DETAILS		-	-	-	-	-
DATE	SCALE	-	-	-	-	-
07/1/21	NTS	-	-	-	-	-
DRAWN	CHECKED	-	-	-	-	-
CB	LJ	-	-	-	-	-
DRAWING No.	REVISION	REV	BY	DESCRIPTION	DATE	CHK'D
ML-ULT4-001						