

# ULT3

## ULTIMA A1

**EXTERNAL:** ALUMINIUM TRAY WITH ANODISED FINISH

**INTERNAL:** FOIL FACED ROCKWOOL INSULATION (A1) FITTED TO AN INTERNAL GALVANISED STEEL / ALUMINIUM BALANCER SHEET

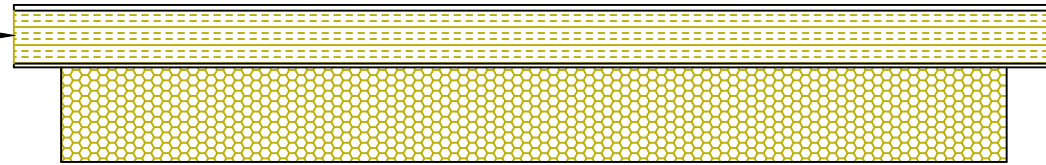
SEE EDGE DESIGN TABLE

## ULTIMA A2 (A2-s1,d0)

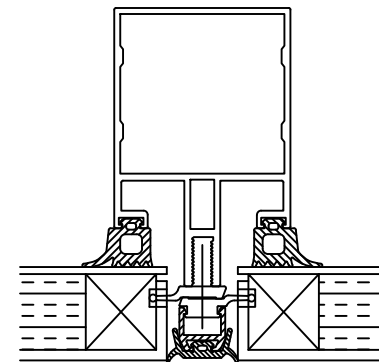
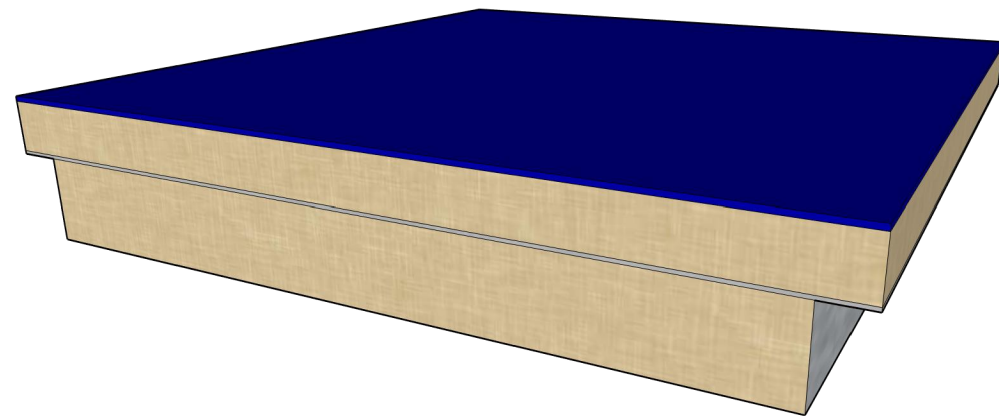
**EXTERNAL:** ALUMINIUM SHEET WITH PPC FINISH

**INTERNAL:** FOIL FACED ROCKWOOL INSULATION (A1) FITTED TO AN INTERNAL GALVANISED STEEL / ALUMINIUM BALANCER SHEET

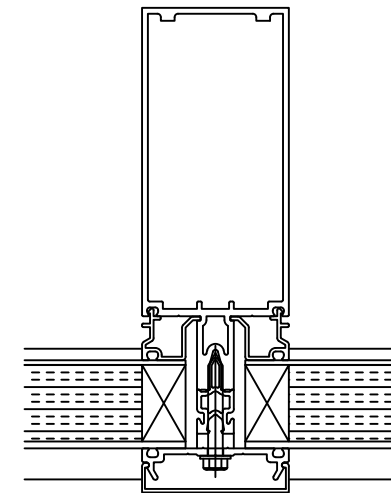
A1 FABROCK CLAD INSULATION



## ULTIMA - ULT 3 TYPICAL DETAILS



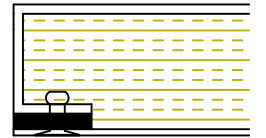
FOR PANELS USED WITH  
STRUCTURAL GLAZING SYSTEMS



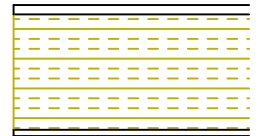
FOR PANELS USED WITH  
CURTAIN WALLING SYSTEMS

## EDGE DESIGN TABLE

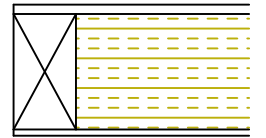
ULTIMA A1 - OUTER TRAY WITH THERMAL BREAK



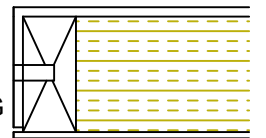
INSULATION CORE



PERIMETER EDGE / THERMAL BREAK



ROUTERED EDGE DETAIL FOR STRUCTURAL GLAZING



PERIMETER EDGE/THERMAL BREAK TO BE IN ACCORDANCE WITH CWCT/SFE FIRE GUIDANCE ISSUE 01 (SEPTEMBER 2020)

Metalline Architectural Fabrications  
Hollies Park Road,  
Cannock,  
Staffordshire,  
WS11 1DB  
www.metalline.co.uk  
Tel: +44 (0) 1543 456930



### DO NOT SCALE

1. ANY DOUBT OF THE CONTENTS OF THIS DRAWING PLEASE CONTACT THE DESIGN OFFICE.
2. THIS DRAWING TO BE READ IN CONJUNCTION WITH ALL OTHER CONTRACT DRAWINGS.
3. DO NOT REPRODUCE THIS DRAWING (IN FULL OR PART) WITHOUT THE WRITTEN PERMISSION OF METALLINE (SERVICES) LTD
4. COPYRIGHT METALLINE (SERVICES) LTD 2020



**Non-combustible**  
Aluminium Insulated Spandrel Panels

DRAWING TITLE		-	-	-	-	-
ULTIMA ULT 3		-	-	-	-	-
TYPICAL DETAILS		-	-	-	-	-
DATE	SCALE	-	-	-	-	-
07/1/21	NTS	-	-	-	-	-
DRAWN	CHECKED	-	-	-	-	-
CB	LJ	-	-	-	-	-
DRAWING No.	REVISION	REV	BY	DESCRIPTION	DATE	CHKD
ML-ULT3-001						